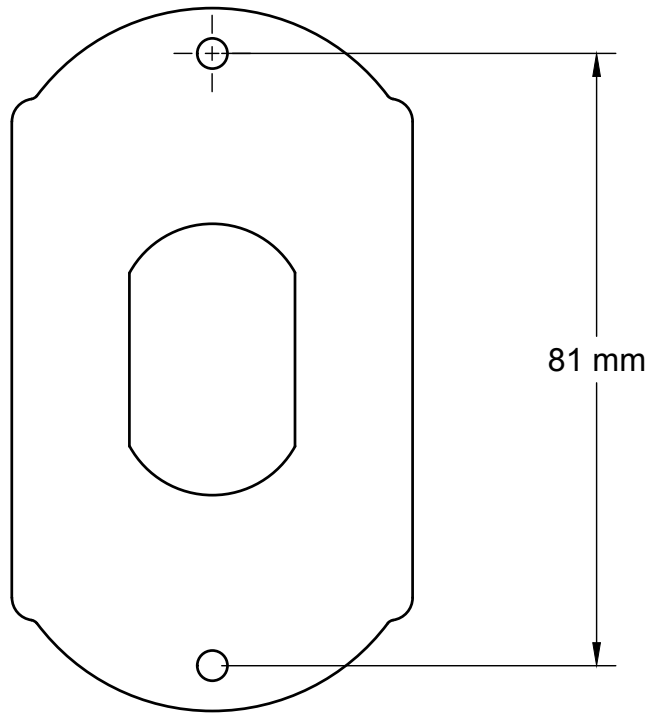


1:1 scale. Actual size. Use 25mm (or 1") drill bit to drill two holes 14 mm apart



1:1 scale. Actual size